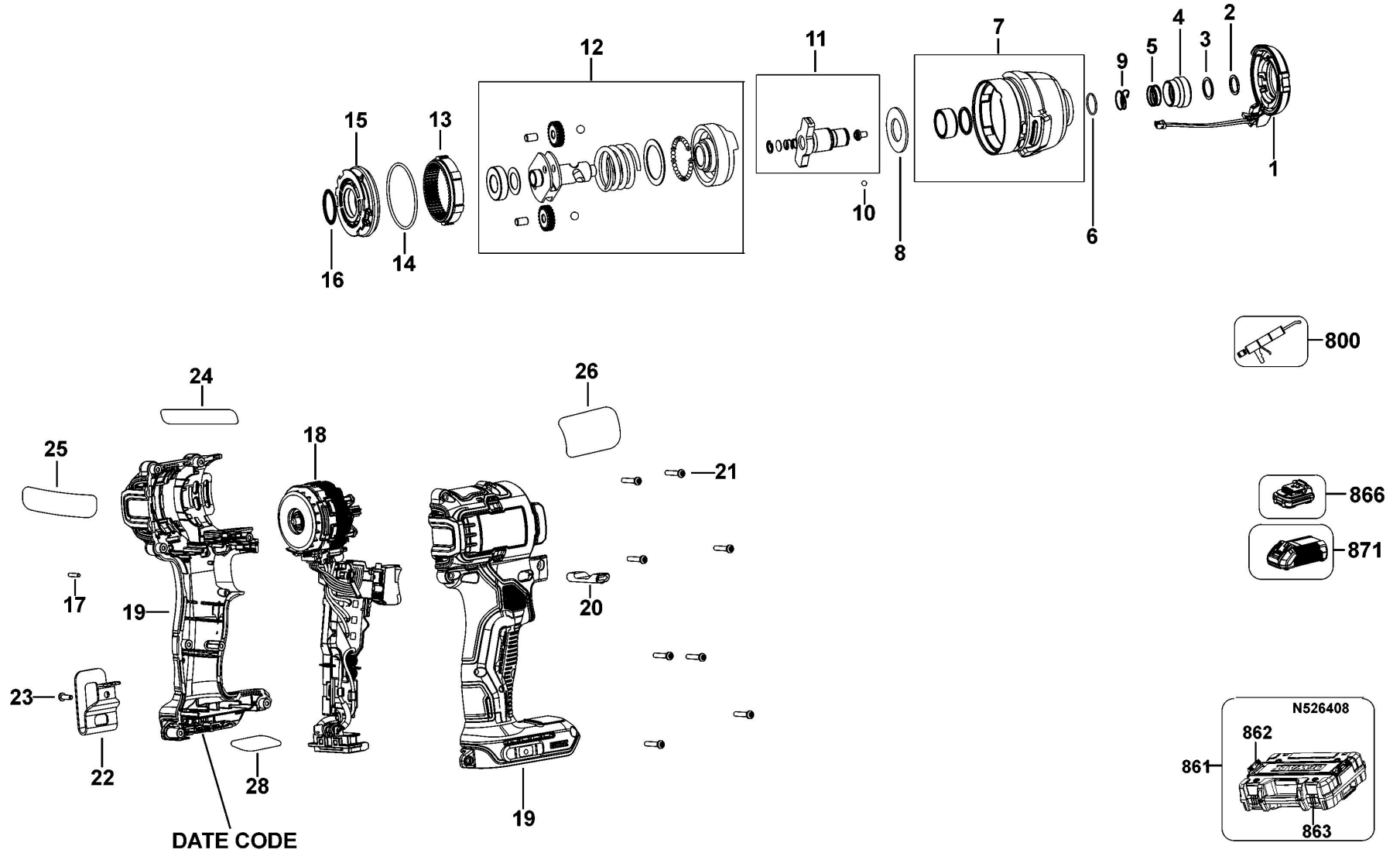


# DCF809D2T IMPACT DRIVER 2



## Parts List DCF809D2T IMPACT DRIVER 2

Item	Part Number	Qty	Part Description	General Description	Other Info	Repair Inst	Markets
1	N785899	1	LED LIGHT			No	QW
2	N421245	1	RING			No	QW
3	N453417	1	WASHER			No	QW
4	N612522	1	SLEEVE			No	QW
5	N019351	1	SPRING			No	QW
6	N424032	1	RING			No	QW
7	N611681	1	NOSE SA			No	QW
8	642883-00C	1	WASHER			No	QW
9	N437890	1	SPRING			No	QW
10	N089668	1	BALL STEEL			No	QW
11	N439275	1	ANVIL ASSEMBLY			No	QW
12	N611705	1	IMPACTOR			No	QW
13	N112877	1	GEAR			No	QW
14	N075339	1	O RING			No	QW
15	N546585	1	ADAPTOR			No	QW
16	N595430	1	O RING			No	QW
17	N071836	1	ROLL PIN			No	QW
18	NA143865	1	MOTOR & SWITCH SA			No	QW
19	N573626	1	CLAMSHELL SET			No	QW
20	N399342	1	ACTUATOR FWD/REV			No	QW
21	682211-00	8	SCREW			No	QW
22	N086039	1	HOOK			No	QW
23	N042665	1	SCREW			No	QW
24	N616502	1	BRAND LABEL			No	QW
25	N592684	1	LABEL			No	QW
26	NA153985	1	RATING LABEL			No	QW
28	NA153992	1	LABEL	FOOT LABEL		No	QW
800	808386-00	1	GREASE	MOLYKOTE G68 100GMS		No	QW
861	N526408	1	KITBOX		DCF809L2T	No	QW
862	N409477	1	LATCH		DCF809L2T	No	QW
863	P910190	2	LATCH		DCF809L2T	No	QW
866	N546910	2	BATTERY	18V-2AH DCB183-XJ		No	QW

## Parts List DCF809D2T IMPACT DRIVER 2

Item	Part Number	Qty	Part Description	General Description	Other Info	Repair Inst	Markets
871	N394633	1	CHARGER 10.8V - 18V			No	QW